

Metal cylindrical shape capacitive sensors **CR30** series



Features

- ◆ Be able to detect both metal and nonmetal objects;
- ◆ Be able to detect various media via nonmetallic container;
- ◆ Reliable liquid level detecting;

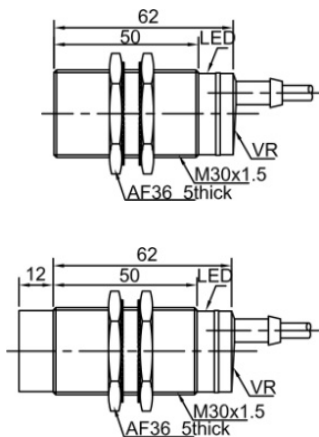
Part number

NPN NO	CR30CF10DNO	CR30CN15DNO	PNP NO	CR30CF10DPO	CR30CN15DPO
NPN NC	CR30CF10DNC	CR30CN15DNC	PNP NC	CR30CF10DPC	CR30CN15DPC
NPN NO+NC	CR30CF10DNR	CR30CN15DNR	PNP NO+NC	CR30CF10DPR	CR30CN15DPR

Technical specifications

Mounting	Flush	Non-flush	Consumption current	≤15mA
Rated distance [Sn]	10mm (adjustable)	15mm (adjustable)	Circuit protection	Short-circuit, overload and reverse polarity
Assured distance [Sa]	0...8mm	0...12mm	Output indicator	Yellow LED
Dimensions	M30*62mm	M30*74mm	Ambient temperature	-25°C...70°C
Output	NO/NC(depends on part number)		Ambient humidity	35-95%RH
Supply voltage	10...30 VDC		Switching frequency [F]	50 Hz
Standard target	Fe30*30*1t	Fe 45*45*1t	Voltage withstand	1000V/AC 50/60Hz 60S
Switch-point drifts [%/Sr]	≤±20%		Insulation resistance	≥50MΩ (500VDC)
Hysteresis range [%/Sr]	3...20%		Vibration resistance	10...50Hz (1.5mm)
Repeat accuracy [R]	≤3%		Degree of protection	IP67
Load current	≤200mA		Housing material	Nick-copper alloy
Residual voltage	≤2.5V		Connection type	2m PVC cable

Dimensions



Wiring diagram

