

Laser distance measuring sensor PDB series



Feature description

- Exquisite appearance and light plastic housing, easy to mount and dismount
- Only by pressing Long and short combination of two keys S, T to complete all function settings fastly
- Small diameter light spot to accurately measure very tiny objects
- Key or remote teach-in to easily set response time for different applications
- Powerful function setting and flexible output way
- Complete shielded design, stronger anti-interference performance
- IP67 protection degree, able to work in water or dusty environment



Model specification

RS-485	PDB-CC50DGR	4...20mA	PDB-CC50TGI
--------	-------------	----------	-------------

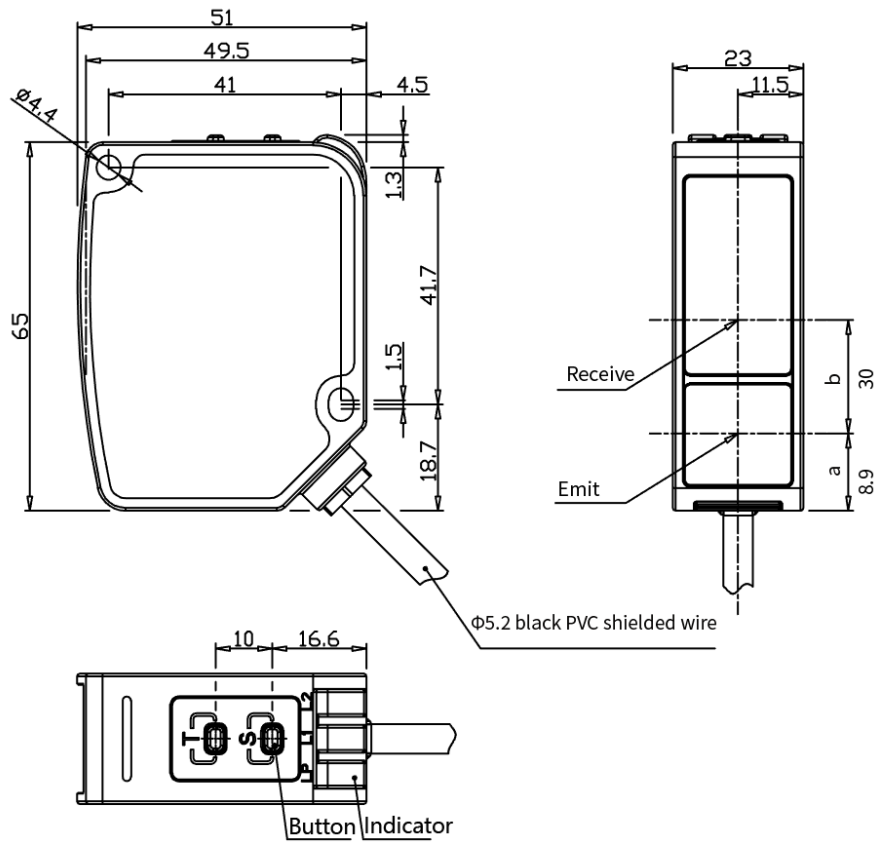
Specifications

Measuring range	80...500mm	Display	OLED Display(size:14*10.7mm)
Full scale(F.S.)	420mm	Temperature drift	±0.02%F.S./°C
Supply voltage	RS-485:10...30VDC;4...20mA:12...24VDC	Indicator	Power indicator:Green LED;Action indicator:Yellow LED
Consumption power	≤700mW		Alarm indicator:Yellow LED
Load current	200mA	Protection circuit④	Short circuit,reverse polarity,overload protection
Voltage drop	<2.5V	Built-in function⑤	Slave address & Port rate setting;Parameter query
Light source	Red laser(650nm);Laser level:Class 2		Product self-check;Output setting;Average setting
Light spot	Φ2.5mm@500mm		Single point teach;Window teach;Restore factory settings
Resolution	15um@80mm;500um@500mm	Service environment	Operation temperature:-10...+50°C
Linear accuracy①	RS-485:±0.3%F.S.;4...20mA:±0.4%F.S.		Storage temperature:-20...+70°C
Repeat accuracy①②③	30um@80mm;250um@250mm;		Ambient temperature:35...85%RH(No condensation)
	1000um@500mm	Anti ambient light	Incandescent light: < 3,000lux
Output1	RS-485(Support Modbus protocol)	Protection degree	IP67
	4...20mA(Load resistance < 390Ω)	Material	Housing: ABS;Lens cover:PMMA
Output2	PUSH-PULL/NPN/PNP And NO/NC Settable	Vibration resistance	10...55Hz Double amplitude1mm,2H each in X,Y,Z directions
Distance setting	RS-485:Keypress/RS-485 setting	Impulse resistance	500m/s²(About 50G)3 times each in X,Y, Z directions
	4...20mA:Keypress setting	Connection way	RS-485:2m 5pins PVC cable;4...20mA:2m 4pins PVC cable
Response time	2ms/16ms/40ms Settable	Accessory	Screw(M4×35mm)×2、Nut×2、Washer×2、Mounting bracket、Operation manual
Dimension	65*51*23mm		

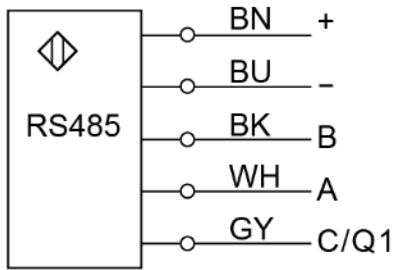
Remark:

- ①Test conditions:Standard data at 23 ± 5 °C ;Supply voltage 24VDC;30 minutes' warmup before test;Sampling period 2ms;Average sampling times 100;Standard sensing object 90% white card
- ②The statistical data follows the 3σ criteria
- ③Repeat accuracy:23 ± 5 °C environment,90% reflectivity white card,100 test data results
- ④Slave address,baud rate setting only for RS-485 series
- ⑤Protecion circuit only for switch output
- ⑥Product operation steps and precautions in "Operation manual"

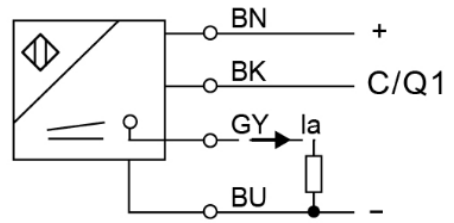
Dimension



Wiring diagram



Serial communication RS-485



Analog output 4...20mA

Remark:
The sensors are equipped with shielded cables, Q is the switch output.