

Laser distance measuring sensor PDB series



Feature description:

- Adoption of TOF principle, not affected by objects' color or material.
- Extended sensing distance, suitable for a variety of applications.
- Favorable detection accuracy and repeat accuracy.
- Infrared laser spot, detection of small objects.



Model specification

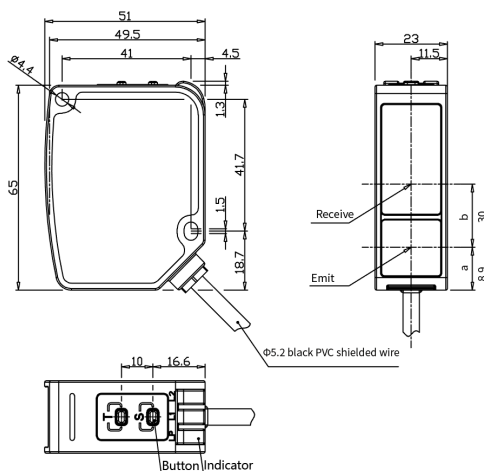
RS-485	PDB-CM8DGR	4..20mA	PDB-CM8TGI
--------	------------	---------	------------

Specifications

Measuring range	0.1...8m ^①	Dimensions	65mm*51mm*23mm
Supply voltage	RS-485:10...30VDC;4...20mA:12...30VDC	Distance setting	RS-485:button/RS-485 setting; 4...20mA:button setting
Consumption current	≤70mA	Indicator	Power indicator: Green LED; Action indicator: Orange LED
Load current	200mA	Hysteresis	1%
Voltage drop	<2.5V	Circuit protection	Short circuit, reverse polarity
Light source	Infrared laser(850nm); Laser level: Class 3	Built-in function	Button to lock, button to unlock, action point setting
Working principle	TOF		Output setting, average setting
Average optical power	20mW		Single point teach; Window teach mode setting
Impulse duration	200us		Output curve up/ down; factory date reset
Impulse frequency	4KHZ	Service environment	Operating temperature:-10...+50°C;
Testing frequency	100HZ	Anti-ambient light	< 20,000lux
Light spot	RS-485:90*90mm(at 5m meter)	Protection degree	IP67
	4...20mA:90*90mm(at 5m meter)	Material	Housing: ABS; Lens cover: PMMA
Resolution	1mm	Vibration resistance	10...55Hz Double amplitude1mm,2H each in X,Y,Z directions
Linear accuracy ①	RS-485:±1%F.S.; 4...20mA:±1%F.S.	Impulse resistance	500m/s ² (About 50G) 3 times each in X,Y,Z directions
Repeat accuracy	±1%	Connection way	RS-485:2m 5pins PVC cable;4...20mA:2m 4pins PVC cable
Output 1	RS-485(Support Modbus protocol)	Accessories	Screw(M4×35mm)×2, Nut×2, Washer×2,
	4...20mA(Load resistance < 390Ω)		Mounting bracket, Operation manual
Output 2	PUSH-PULL/NPN/PNP And NO/NC Settable		

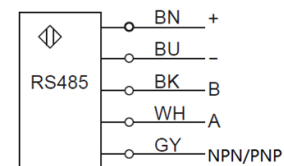
Note: ① Detection object is 90% white card

Dimension



Wiring diagram

Serial communication RS-485



Analog output 4...20m

